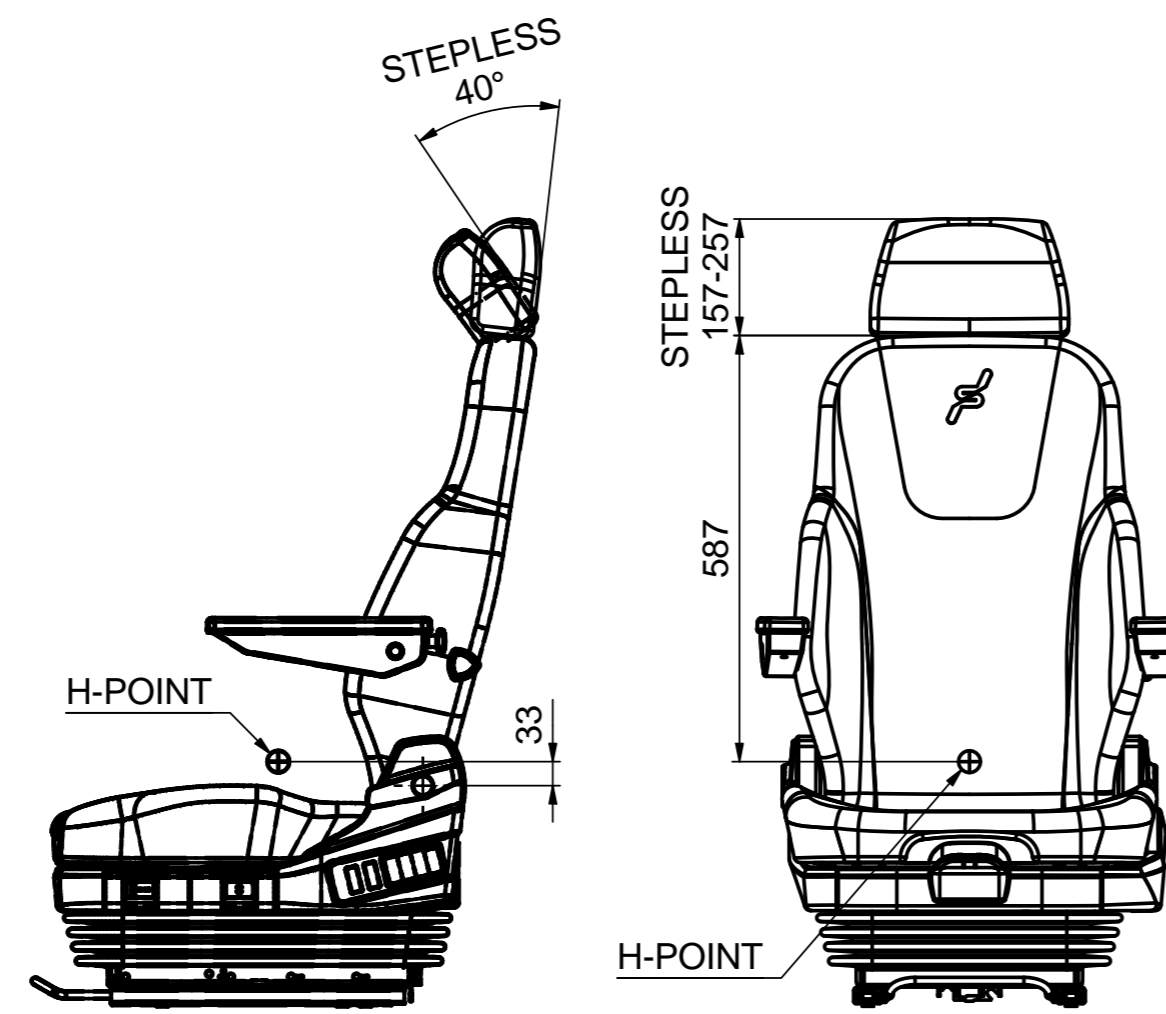
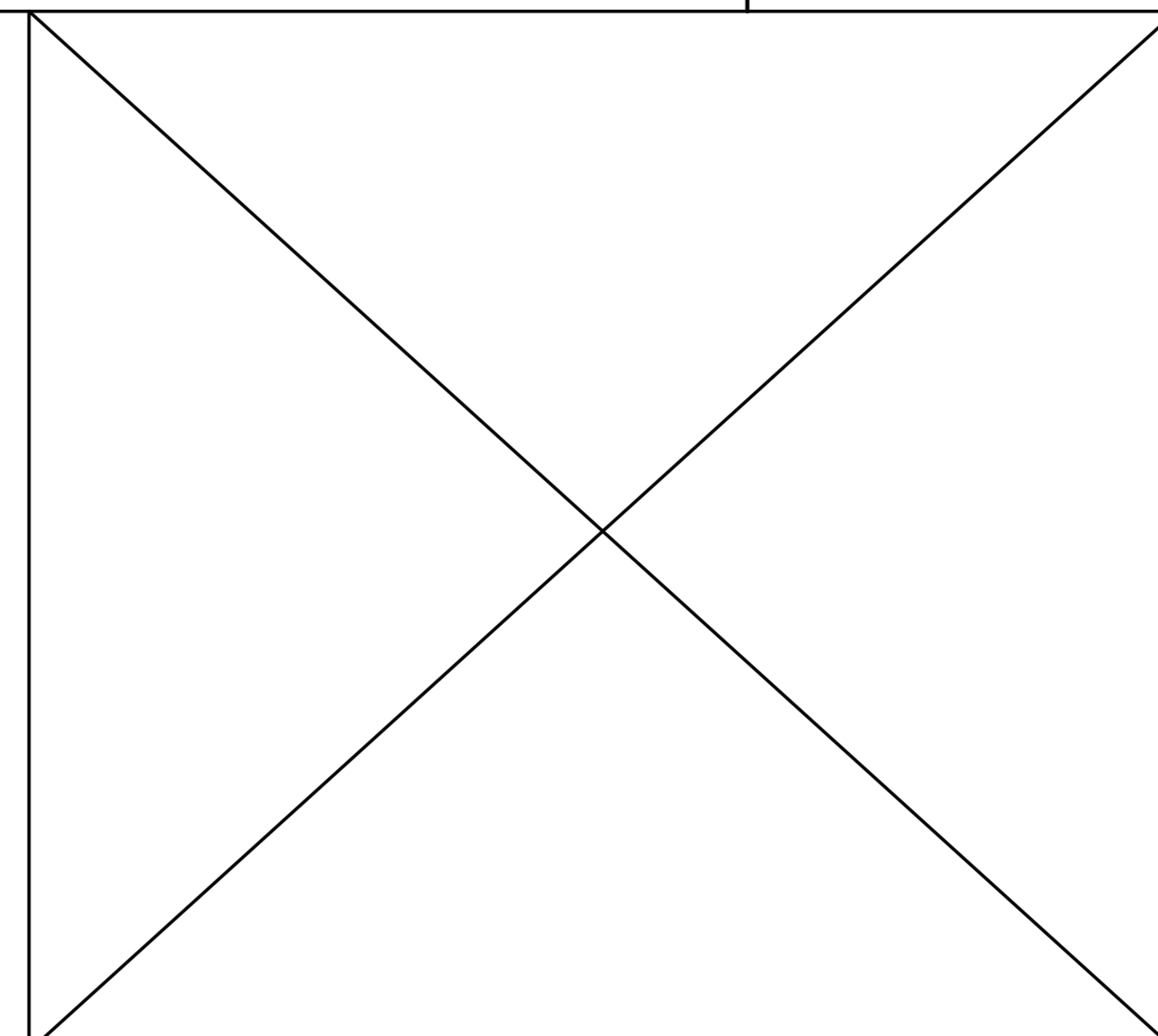


3400R Right hand controls
Armrests



3400L Left hand controls
Backrest 640, Headrest 4-way, Armrests

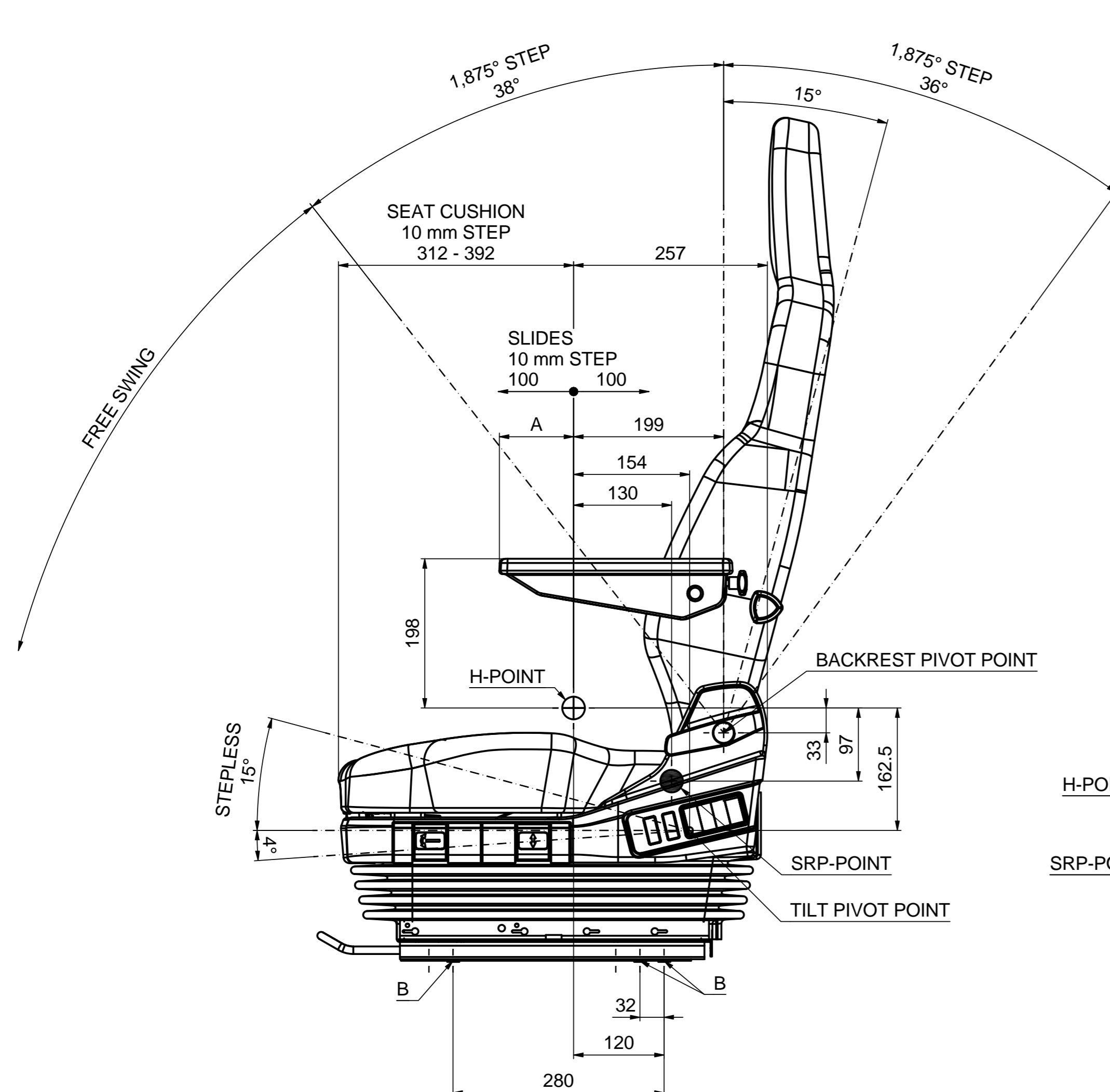


3400F Controls in front

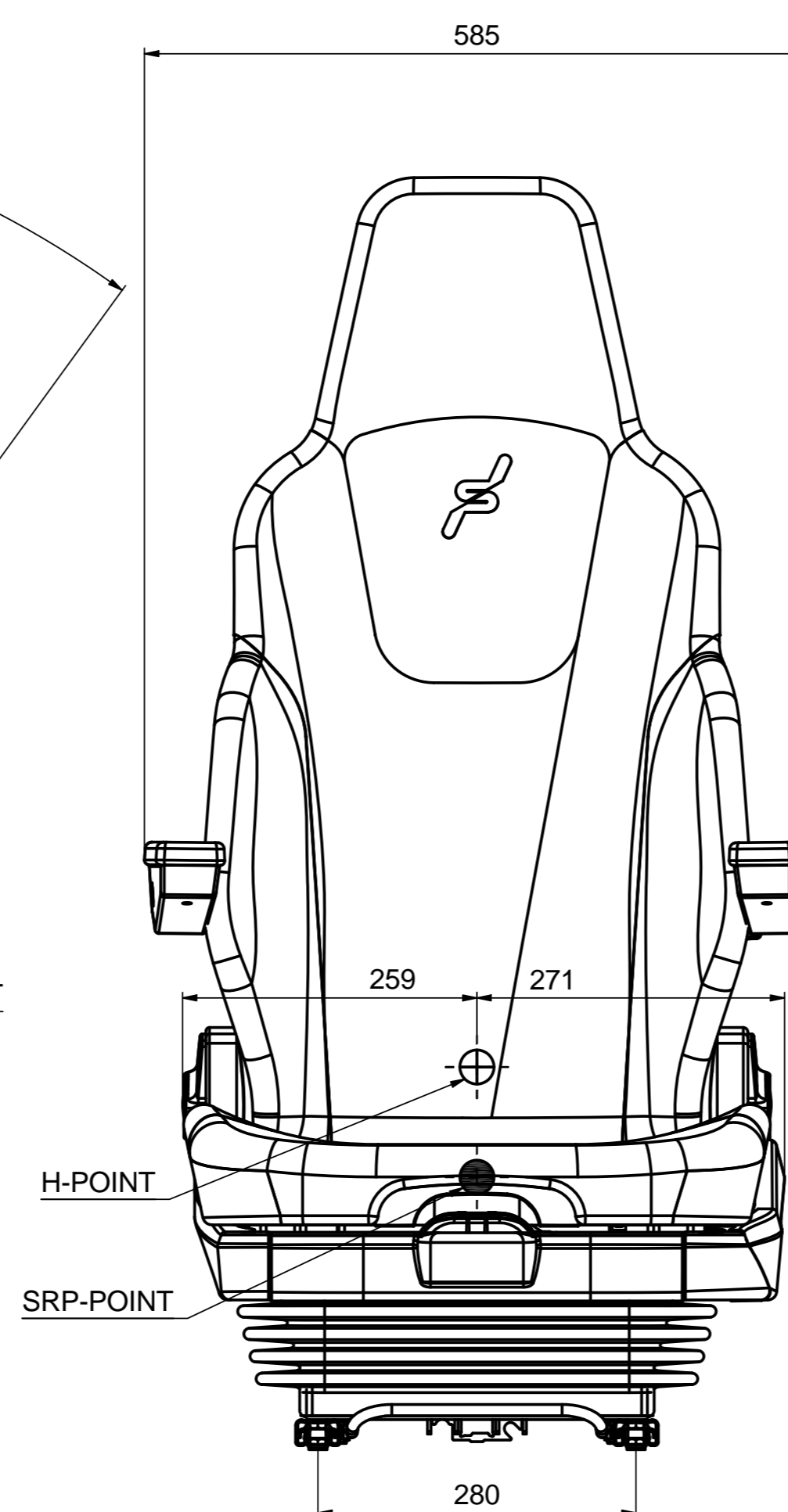
Model range

3010L

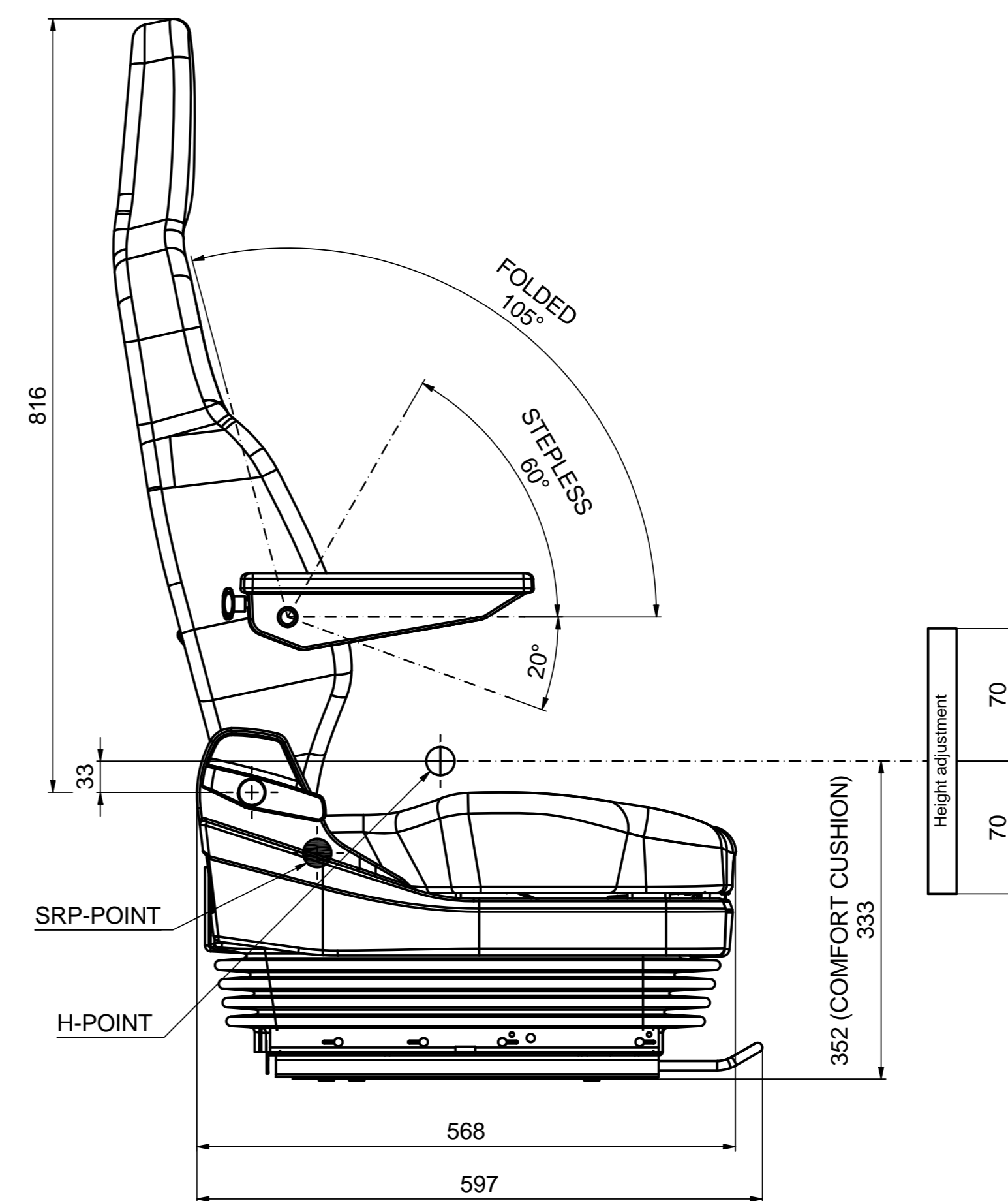
- L - Controls left
- R - Controls right
- F - Controls front
- 0 - No safety belt
- 1 - Left hand 3-point safety belt
- 2 - Right hand 3-point safety belt
- 0 - Luxury, air suspended, pneumatic controlled
- 1 - Medium, air suspended, mechanical controlled
- 4 - Static, mechanical controlled
- 3 - Seat model (3000 series)



B - SEAT IS MOUNTED BY
6 PCS SCREW M8 8.8
6 PCS WASHER 8x16x1.5



Drawing shows 3400L
Left hand controls
(Armrests optional)



- SRP-point
- ⊕ H-point
- ⊕ Location of structural belt anchorages
- Effective belt anchorages

Backrest angle 15° and tilt angle 0°
measured on mannequin

Weight table (kg)	
Seat	3400
Headrest	0,8
Shoulder support	n/a
Armrests FLEX	2,5
Max total weight	36,3

THIS DOCUMENT INCLUDING ALL RIGHTS RESERVED. COMPLETE DATA
 ARE BE-GE INDUSTRY AS PROPERTY AND SHALL NOT
 WITHOUT BE-GE INDUSTRY AS WRITTEN PERMISSION BE COPIED,
 REPRODUCED OR TRANSMITTED IN ANY FORM OR BY ANY MEANS,
 ELECTRONIC OR MECHANICAL, INCLUDING PHOTOCOPYING,
 RECORDING, OR BY ANY INFORMATION STORAGE AND RETRIEVAL SYSTEM.
 BE-GE INDUSTRY AS

	A
Armrest FLEX	185
Armrest FLEX short	113

Unless otherwise specified		Item No	Quant	Name	Material	Art. No	Note
Dimensional tolerance	±5 mm	Designer		Drawn	HM	Approved	Jl
						Scale	-
						Date	071015
						Weight (g)	
						Format	A1
						Drawing No	3400



Measurement drawing
3400L, 3400R